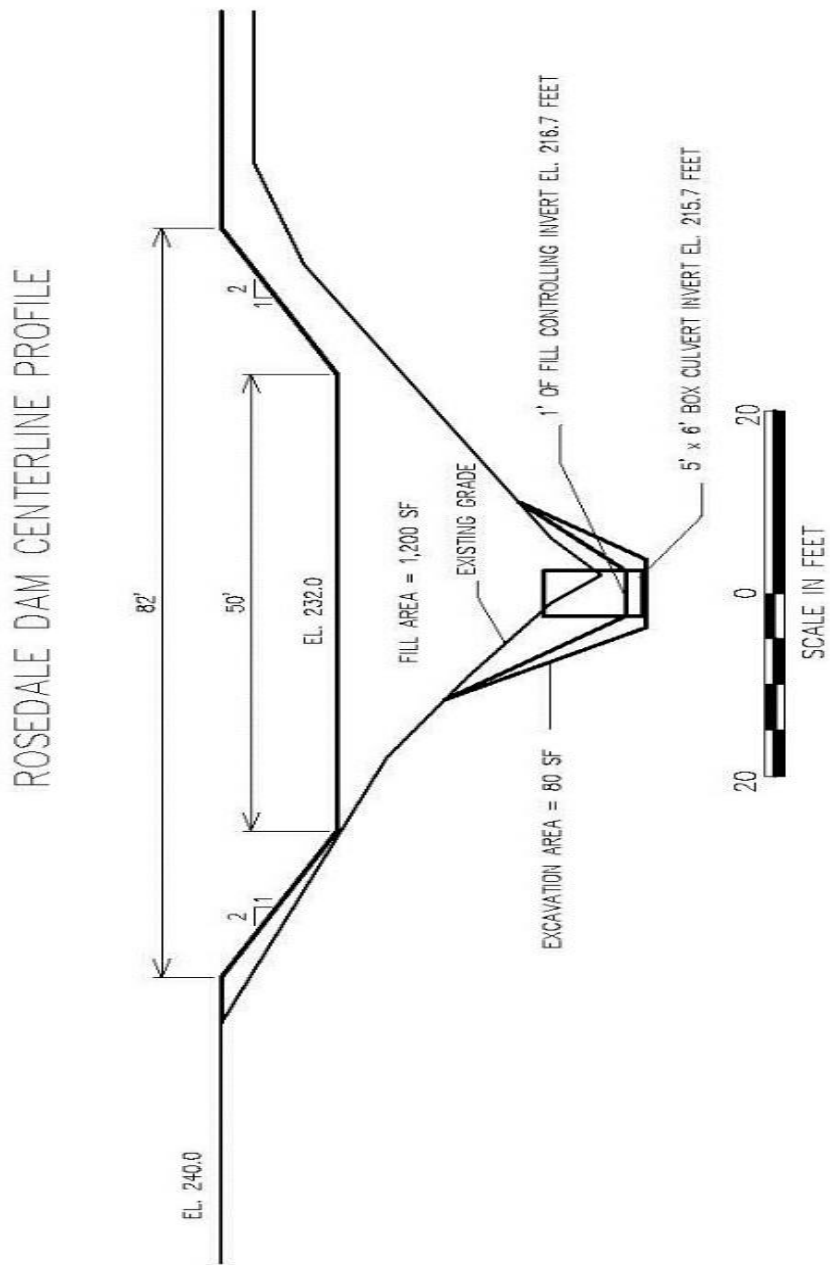


APPENDIX B

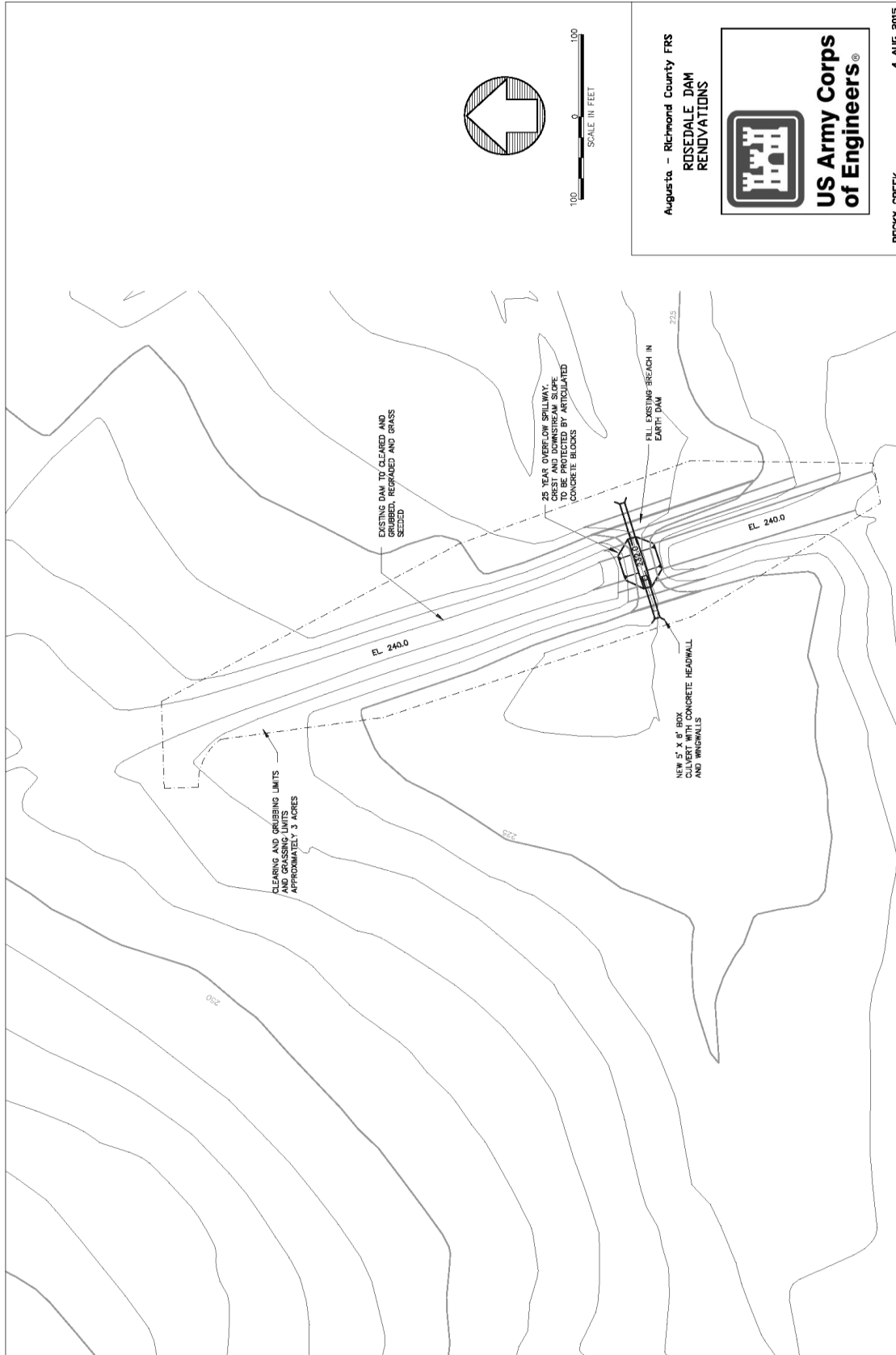
TECHNICAL DRAWINGS

Table of Contents


	Page No.
Drawing 1: Rosedale Dam Centerline Profile	1
Drawing 2: Rosedale Dam Renovations	2



Drawing 1: Rosedale Dam Centerline Profile



Augusta - Richmond County FRS
ROSEDALE DAM
RENOVATIONS



**US Army Corps
of Engineers®**

ROCKY CREEK 4 AUG 2015

Drawing 2: Rosedale Dam Renovations